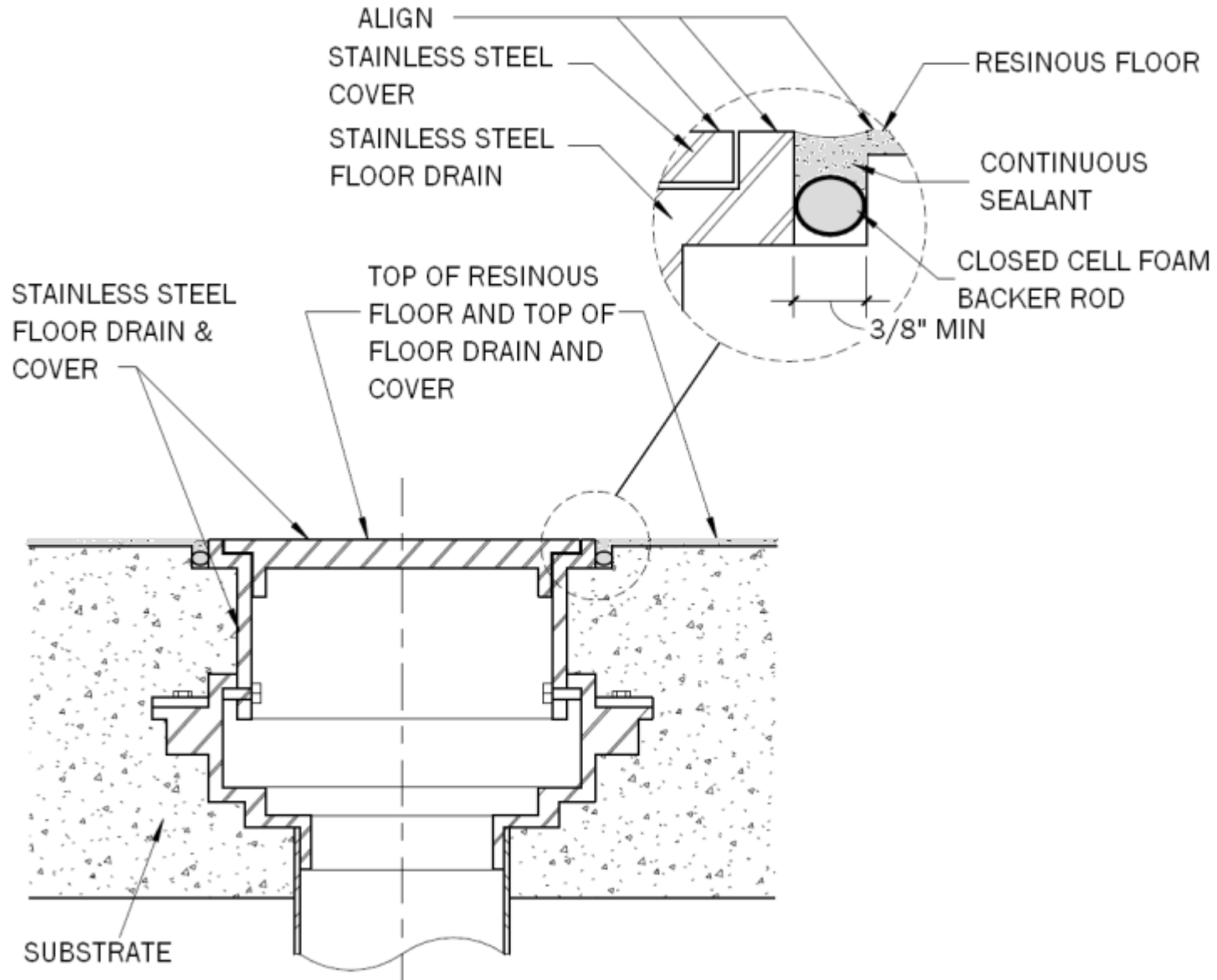


# RESINOUS FLOOR & FLOOR DRAIN DETAIL



INSTALLATION DETAILS

